

Aprobat
PRIMAR
ing Muresan Ioan Florin



ANTEMASURATOARE

Desfacere gard din beton si executare gard nou ,Scoala Baciu loc.Baciu
Lungimea gardului va fi de 115 ml.

1, Demolare gard din placi si fundatie beton	50 mc
2, Incarcare material moloaz	110 to
3, Transport rutier moloaz 15 km	110 to
4, Sapatura mecanizata	30 mc
5, Turnat beton	30 mc
6, Cofrare elevatie	161 mp
7, Confectionat si montat OB 37	146 kg
8, Confectionat si montat PC52	586 kg
9, Montat plasa sudata 100x100	161 mp
10, Turnat beton elevatie	20 mc
11, Confectionat si montat profile met 60x60x4	738 kg
12, Confectionat si montat profile met 40x20x3	515 kg
13, Confectionat si montat table cutata	644 kg
14, Grunduire si vopsire elem met.	72 mp
15, Zidarie de caramida	1 mc
16, Transport pamant	54 to
17, Transport materiale la 10km	4 curse
18, Nivelat si imprestiat pamant	2 mc
19, Montat capace la stalpi	55 buc
20, Placaj piatra	8 mp
21, Capace piatra	2,5 ml

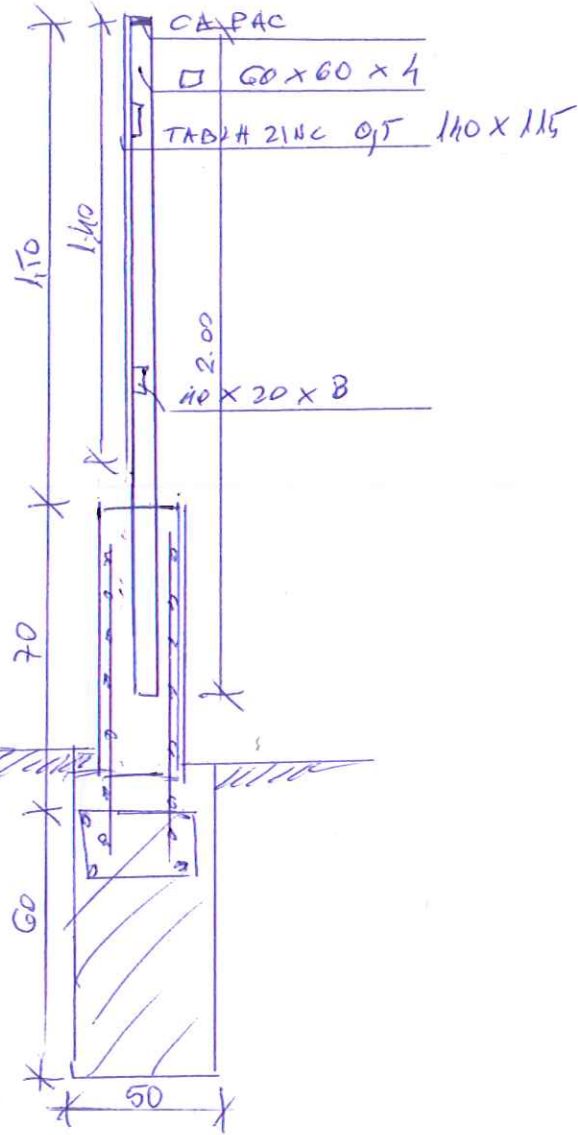
Intocmit

Ing. Kovacs Gyorgy

GARA SCOALA BACIU

Lungime = 115 ml.

STALPI 55 buc.



STAFATURA $0,6 \times 0,7 \times 97 = 29,10 \approx 30 \text{ MC}$

TURNAT BETON $0,6 \times 0,7 \times 97 = 20 \text{ MC}$

CORBAT $117 \times 0,7 \times 2 = 161 \text{ mp}$

TURNAT BETON $117 \times 0,7 \times 0,25 = 20 \text{ MC}$

STALPI $60 \times 60 \times 4 \rightarrow 55 \text{ buc} - 2 \text{ ml} \times 0,71 = 738 \text{ kg}$

INTARITOL $10 \times 20 \times 8 \rightarrow 218 \text{ ml} \times 2,36 = 515 \text{ kg}$

TABLA $117 \times 1,4 \times 0,5 = 644 \text{ kg}$

OTEL PATEA 1 buc $115 = 1,1208 = 555 \text{ a } 520 \text{ kg}$
Suprapuneri.

OTEL BATER OB 37 - 376 buc $L=1,00 \quad 0,395 = 148 \text{ kg}$
eternu r